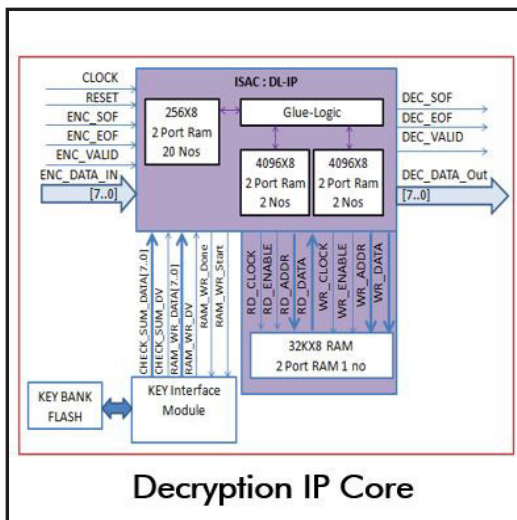


## Generic Re-configurable AES Decryption IP Core

U R Rao Satellite Centre (URSC) of Indian Space Research Organisation (ISRO) has developed Generic Re-configurable Decryption IP Core to Ground Station for Real time decryption on Satellite data.



### Salient Features

- ✦ Implemented AES Decryption engine as IP core.
- ✦ IP core is working at 512 Mbps rate, with feature of Realtime decryption, Dynamic key update and key file validation.
- ✦ Design targeted for high density FPGA.

- ✦ This module is integrated along with other real time processing element data reception chain.

### Major Specifications

- ✦ Compatible to CCSDS standard.
- ✦ 512 Mbps data rate.
- ✦ IP core could be integrated to real time processing systems.

## Technology Transfer

URSC/ISRO offers to transfer this technology Generic Re-configurable Decryption IP Core developed by URSC to industries in India with adequate experience and facilities. Industries interested in obtaining knowhow may write giving details of their present activities, infrastructure and facilities.

Technology Transfer & Industry Coordination Division (TTID),  
Programme Planning and Evaluation Group (PPEG),

📍 U R Rao Satellite Centre (URSC), ISRO, HAL Airport Road,  
Vimanapura Post, Bangalore – 560 017.

✉ Email-id: [tt-icd@ursc.gov.in](mailto:tt-icd@ursc.gov.in)

☎ Fax No: 080-25205261

🌐 <https://www.ursc.gov.in/industry/index.jsp>